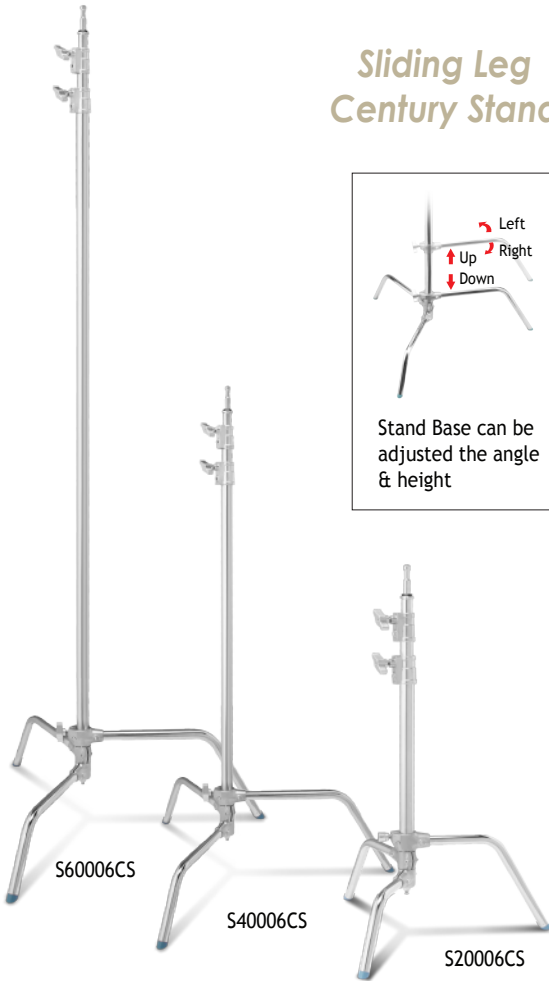
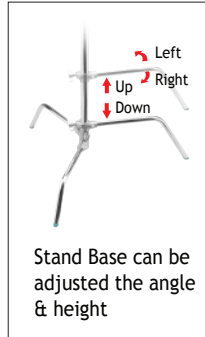


Sliding Leg Century Stand



60" Sliding Leg Century Stand

■ SPECIFICATIONS

Identity No.	S60006CS
Maximum Height	4820 mm
Minimum Height	1850 mm
Footprint Diameter	950 mm
Weight	8.2 kg
Maximum Load	10 kg

40" Sliding Leg Century Stand

■ SPECIFICATIONS

Identity No.	S40006CS
Maximum Height	3280 mm
Minimum Height	1340 mm
Footprint Diameter	950 mm
Weight	6.4 kg
Maximum Load	10 kg

20" Sliding Leg Century Stand

■ SPECIFICATIONS

Identity No.	S20006CS
Maximum Height	1750 mm
Minimum Height	840 mm
Footprint Diameter	950 mm
Weight	4.8 kg
Maximum Load	10 kg

Sliding Leg Century Stand Set

■ SET CONTENTS

Identity No.	S20001CS / S40001CS / S60001CS
Stand	20" / 40" / 60" Sliding leg Century Stand
Grip Head	2-1/2" Grip head
Arm	Grip Head & 40" Arm

■ ACCESSORIES

