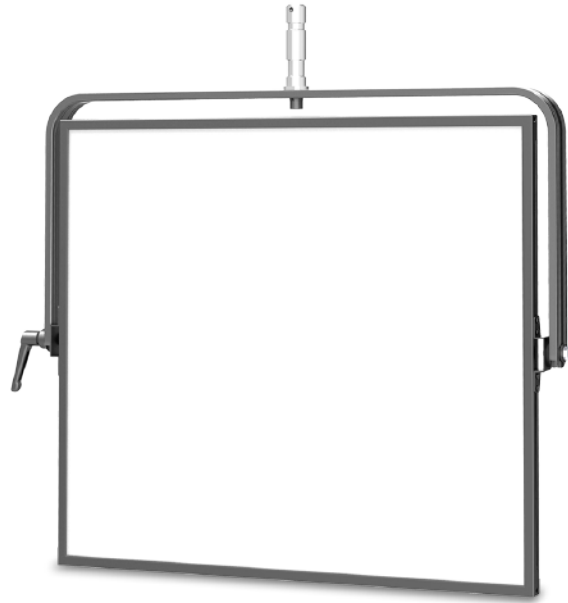


## LED SL PANEL 200 (Bi-Color)

### LAMPHEAD CONTENTS

- Lamp Housing
- Diffuser
- Stirrup with Ø28mm (1-1/8 in.) Spigot
- Power Supply & Power Cable



### LED SL PANEL 200 (Bi-Color)

#### SPECIFICATIONS

Identity No.	LM0200LP
Max. Capacity	218W
Voltage	18 - 28V DC
Current	9A @ 24V
Color Temp.	Adjustable 2700K - 5600K
CRI	>95
TLCI	>95
Dimming Range	0-100%
Control Signal	DMX 512
DMX Channel	2
LED Life	Approx. 30,000 Hrs
Stirrup	Ø28mm (1-1/8 in.) Spigot
Class / IP Rating	1 / IP 21
Max. Surface Temp.	60 °C
Max. Ambient Temp.	45 °C
Min. Distance to Illuminated Object	1 m
Min. Distance to Flammable Object	0.5 m
Operating Range	+90° ~ 0° ~ -90°
Weight	9.0 kg

#### POWER SUPPLY

Capacity	220W
Input Voltage	100 - 240V AC
Output Voltage	24V DC 9.2A

#### ACCESSORIES

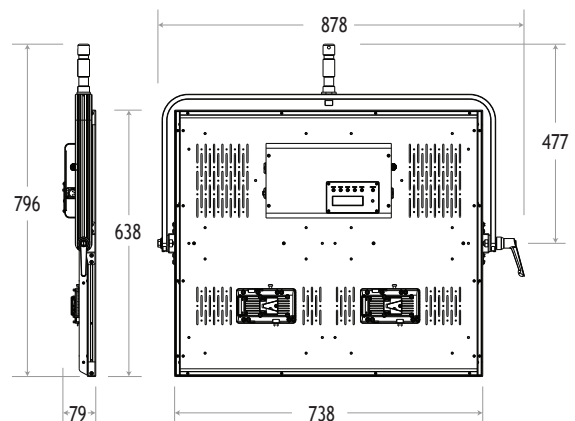
- 4-leaf Barndoor
- V-mount Battery
- Safety Cable (for lamphead)



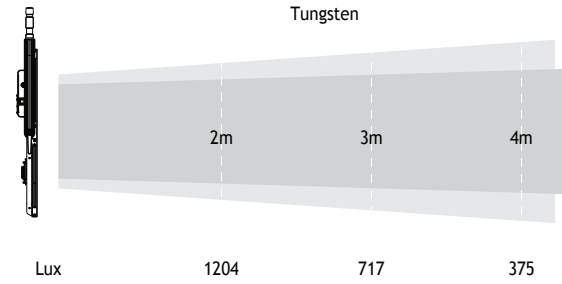
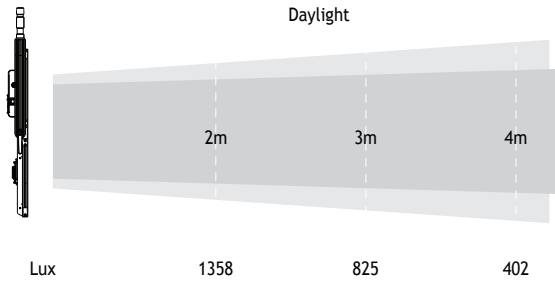
Back

Power Supply & Power Cable

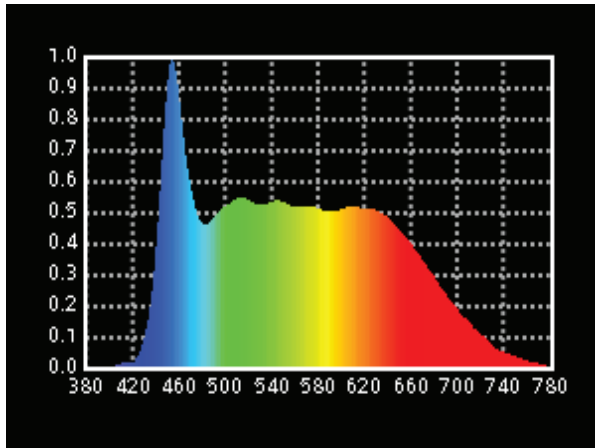
#### DIMENSIONS (mm)



■ PHOTOMETRIC DATA



■ SPECTRUM



■ HISTOGRAM

