



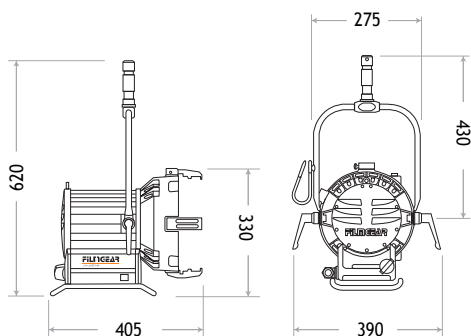
Daylight Par 800W

LAMPHEAD CONTENTS

- Lamp Housing without Bulb (purple grey & silver color)
- 4-leaf Rotatable Barndoor with Safety Wire
- Ø208mm (8-1/8 in.) Protective Lens
- Set of 5 Par Lenses with Lens Case
- Inlet Cable with Multi-Pin Connector
- Stirrup with Ø28mm (1-1/8 in.) Spigot

Requires Electronic Ballast, Lamphead to Ballast Cable and Lamp Bulb

DIMENSIONS (mm)



Daylight Par 800W

SPECIFICATIONS

Identity No.	L00800DP
Capacity	800W
Lamp Bulb Voltage	95V
Protective Lens	Ø208mm (8-1/8 in.)
Par Lens	Ø250mm (9-7/8 in.)
Lamp Type	CSR 800W SE/HR
Color Temp.	5600K
Lamp Holder	G22
Stirrup	Ø28mm (1-1/8 in.) Spigot
Class / IP Rating	1 / IP 23
Max. Surface Temp.	170 °C
Max. Ambient Temp.	45 °C
Min. Distance to Illuminated Object	6 m
Min. Distance to Flammable Object	0.5 m
Operating Range	+45° - 0° - -45°
Weight (lamphead)	6.9 kg
Weight (with barndoor)	7.8 kg

ACCESSORIES

Electronic Ballast V3 : 800W/575W or 800W/575W AC/DC

Lamphead to Ballast Cable : 7m (23 ft.) or 15m (49 ft.)

DC Cable 1.5m (5 ft.)

4-leaf Rotatable Barndoor

Set of 5 Par Lenses Ø250mm (9-7/8 in.) with Lens Case :

Spot, Medium Flood, Wide Flood,

Super Wide Flood, Frosted Super Flood

Set of 4 Scrims Ø254mm :

Full Single, Full Double, Half Single, Half Double

Scrim Bag

Safety Cable (for lamphead)

Safety Wire (for barndoor)

PHOTOMETRIC DATA

		6m	9m	12m
800W				
Spot (8°)	Lux	30768	13674	7692
	Beam Ø	0.84 m	1.26 m	1.68 m
Medium Flood (10° x 20°)	Lux	11924	5299	2981
	Beam Ø	1.05 x 2.12 m	1.57 x 3.17 m	2.10 x 4.23 m
Wide Flood (20° x 45°)	Lux	3675	1633	919
	Beam Ø	2.16 x 4.97 m	3.17 x 7.46 m	4.23 x 9.94 m
Super Wide Flood (40°)	Lux	2044	909	511
	Beam Ø	4.37 m	6.55 m	8.74 m
Frosted Super Flood (37°)	Lux	1521	676	380
	Beam Ø	4.02 m	6.02 m	8.03 m