



Daylight Par 6000W

■ SPECIFICATIONS

Identity No.	L06000DP
Capacity	6,000W
Lamp Bulb Voltage	125V
Protective Lens	Ø420mm (16-1/2 in.)
Par Lens	Ø420mm (16-1/2 in.)
Lamp Type	HMI 6000W SE
Color Temp.	5600K
Lamp Holder	GX38
Stirrup	Ø28mm (1-1/8 in.) Spigot
Class / IP Rating	1 / IP 23
Max. Surface Temp.	190 °C
Max. Ambient Temp.	45 °C
Min. Distance to Illuminated Object	12 m
Min. Distance to Flammable Object	1.5 m
Operating Range	+38° ~ 0° ~ -38°
Weight (lamphead)	30.3 kg
Weight (with barndoor)	35.3 kg

Daylight Par 6000W

■ LAMPHEAD CONTENTS

- Lamp Housing without Bulb (purple grey & silver color)
- 4-leaf Rotatable Barndoor with Safety Wire
- Ø420mm (16-1/2 in.) Protective Lens
- Set of 5 Par Lenses with Lens Case
- Inlet Cable with Multi-Pin Connector
- Stirrup with Ø28mm (1-1/8 in.) Spigot

Requires Electronic Ballast, Lamphead to Ballast Cable and Lamp Bulb

■ ACCESSORIES

Electronic Ballast V3 : 12kW/6kW or 9kW/6kW or 6000W

Lamphead to Ballast Cable : 7m (23 ft.) or 15m (49 ft.)

4-leaf Rotatable Barndoor

Set of 5 Par Lenses Ø420mm (16-1/2 in.) with Lens Case :

Spot, Medium Flood, Wide Flood,

Super Wide Flood, Frosted Super Flood

Set of 4 Scrims Ø495mm (19-1/2 in.) :

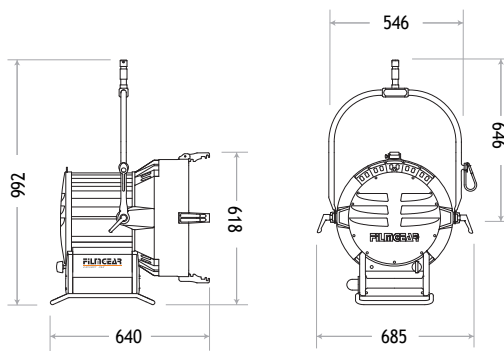
Full Single, Full Double, Half Single, Half Double

Scrim Bag

Safety Cable (for lamphead)

Safety Wire (for barndoor)

■ DIMENSIONS (mm)



■ PHOTOMETRIC DATA

		15m	20m	25m
6000W				
Spot (8°)	Lux	49491	27839	17817
	Beam Ø	2.10 m	2.80 m	3.50 m
Medium Flood (10° x 20°)	Lux	18966	10669	6828
	Beam Ø	2.62 x 5.29 m	3.50 x 7.05 m	4.37 x 8.82 m
Wide Flood (20° x 40°)	Lux	7238	4071	2606
	Beam Ø	5.29 x 10.92 m	7.05 x 14.46 m	8.82 x 18.20 m
Super Wide Flood (42°)	Lux	3860	2172	1390
	Beam Ø	11.52 m	15.35 m	19.19 m
Frosted Super Flood (36°)	Lux	2313	1301	833
	Beam Ø	9.75 m	13.00 m	16.25 m