



## Daylight Par 12000W

### SPECIFICATIONS

Identity No.	L12000DP
Capacity	12,000W
Lamp Bulb Voltage	160V
Protective Lens	Ø500mm (19-5/8 in.)
Par Lens	Ø500mm (19-5/8 in.)
Lamp Type	HMI 12000W SE
Color Temp.	5600K
Lamp Holder	GX38
Stirrup	Ø28mm (1-1/8 in.) Spigot
Class / IP Rating	1 / IP 23
Max. Surface Temp.	220 °C
Max. Ambient Temp.	45 °C
Min. Distance to Illuminated Object	15 m
Min. Distance to Flammable Object	2 m
Operating Range	+30° - 0° - -30°
Weight (lamphead)	50.7 kg
Weight (with barndoor)	56.3 kg

## Daylight Par 12000W

### LAMPHEAD CONTENTS

- Lamp Housing without Bulb (purple grey & silver color)
- 4-leaf Rotatable Barndoor with Safety Wire
- Ø500mm (19-5/8 in.) Protective Lens
- Set of 5 Par Lenses with Lens Case
- Inlet Cable with Multi-Pin Connector
- Stirrup with Ø28mm (1-1/8 in.) Spigot

# Requires Electronic Ballast, Lamphead to Ballast Cable and Lamp Bulb

### ACCESSORIES

Electronic Ballast V3 : 18kW/12kW or 12kW/6kW

Lamphead to Ballast Cable : 15m (49 ft.) or 20m (66 ft.)

4-leaf Rotatable Barndoor

Set of 5 Par Lenses Ø500mm (19-5/8 in.) with Lens Case :

Spot, Medium Flood, Wide Flood,

Super Wide Flood, Frosted Super Flood

Set of 4 Scrims Ø533mm (21 in.) :

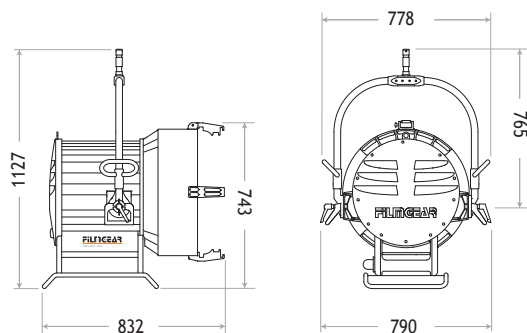
Full Single, Full Double, Half Single, Half Double

Scrim Bag

Safety Cable (for lamphead)

Safety Wire (for barndoor)

### DIMENSIONS (mm)



### PHOTOMETRIC DATA

		20m	30m	40m
12000W				
Spot (9°)	Lux	41410	18404	10353
	Beam Ø	3.15 m	4.72 m	6.30 m
Medium Flood (10° x 20°)	Lux	14266	6341	3567
	Beam Ø	3.50 x 7.05 m	5.25 x 10.58 m	7.00 x 14.11 m
Wide Flood (20° x 40°)	Lux	4621	2054	1155
	Beam Ø	7.05 x 14.46 m	10.58 x 21.84 m	14.11 x 29.12 m
Super Wide Flood(42°)	Lux	2525	1122	631
	Beam Ø	15.35 m	23.03 m	30.71 m
Frosted Super Flood (36°)	Lux	2200	978	550
	Beam Ø	13.00 m	19.50 m	26.00 m