



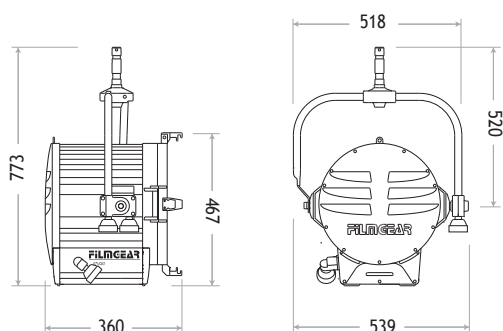
## Tungsten Fresnel 5000W Studio P.O.

### LAMPHEAD CONTENTS

- Lamp Housing without Bulb (purple grey & silver color)
- 4-leaf Rotatable Barndoor with Safety Wire
- Ø300mm (11-7/8 in.) Fresnel Lens
- Inlet Cable 4m (13 ft.)
- Pole Operated Stirrup with Ø28mm (1-1/8 in.) Spigot

# Requires Lamp Bulb

### DIMENSIONS (mm)



## Tungsten Fresnel 5000W Studio P.O.

### SPECIFICATIONS

Identity No.	LN5000TF (220V)
	LN5000TF1 (110V)
Capacity	5,000W
Voltage	200 - 240V AC or 100 - 120V AC
Fresnel Lens	Ø300mm (11-3/4 in.)
Lamp Type	5000W SE
Color Temp.	3200K
Lamp Holder	G38
P.O. Stirrup	Ø28mm (1-1/8 in.) Spigot
Class / IP Rating	1 / IP 23
Max. Surface Temp.	210 °C
Max. Ambient Temp.	45 °C
Min. Distance to Illuminated Object	5 m
Min. Distance to Flammable Object	1.5 m
Operating Range	+38° ~ 0° ~ -38°
Weight (lamphead)	16.3 kg
Weight (with barndoor)	18.8 kg

### ACCESSORIES

4-leaf Rotatable Barndoor

Rotary Switch

Filter Frame

Set of 4 Scrims Ø394mm (15-1/2 in.) :

Full Single, Full Double, Half Single, Half Double

Scrim Bag

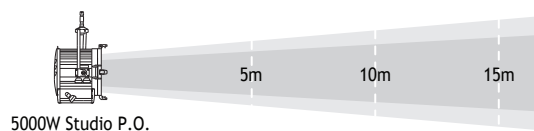
Variable Snoot

Spill Ring

Safety Cable (for lamphead)

Safety Wire (for barndoor)

### PHOTOMETRIC DATA



	5m	10m	15m
Spot (12°)			
Lux	19493	4873	2166
Beam Ø	1.05 m	2.10 m	3.15 m
Flood (64°)			
Lux	2969	742	330
Beam Ø	6.25 m	12.50 m	18.75 m