



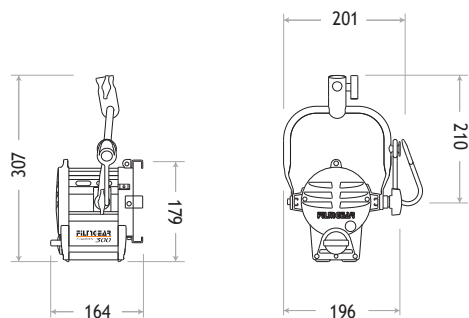
Tungsten Fresnel 300W Junior

LAMPHEAD CONTENTS

- Lamp Housing without Bulb (purple grey & silver color)
- 4-leaf Rotatable Barndoor with Safety Wire
- Ø80mm (3 in.) Fresnel Lens
- In-Line Switch
- Inlet Cable 4m (13 ft.)
- Stirrup with Ø16mm (5/8 in.) Socket

Requires Lamp Bulb

DIMENSIONS (mm)



Tungsten Fresnel 300W Junior

SPECIFICATIONS

Identity No.	L00300TJ
Capacity	300W
Voltage	100 - 250V AC
Fresnel Lens	Ø80mm (3-1/8 in.)
Lamp Type	300W SE
Color Temp.	3200K
Lamp Holder	GY9.5
Stirrup	Ø16mm (5/8 in.) Socket
Class / IP Rating	1 / IP 23
Max. Surface Temp.	190 °C
Max. Ambient Temp.	45 °C
Min. Distance to Illuminated Object	1 m
Min. Distance to Flammable Object	0.5 m
Operating Range	+45° ~ 0° ~ -45°
Weight (lamphead)	1.8 kg
Weight (with barndoor)	2.1 kg

ACCESSORIES

4-leaf Rotatable Barndoor

Filter Frame

Set of 4 Scrims Ø127mm (5 in.) :

Full Single, Full Double, Half Single, Half Double

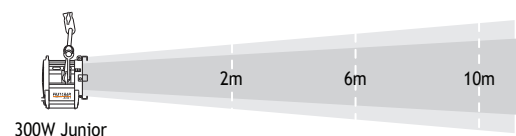
Scrim Bag

Variable Snoot

Safety Cable (for lamphead)

Safety Wire (for barndoor)

PHOTOMETRIC DATA



300W Junior

	2m	6m	10m
Spot (13°)			
Lux	4469	497	179
Beam Ø	0.46 m	1.37 m	2.28 m
Flood (54°)			
Lux	985	109	39
Beam Ø	2.04 m	6.11 m	10.19 m