



Tungsten Fresnel 1000W Studio

■ SPECIFICATIONS

Identity No.	L01000TF
Capacity	1,000W
Voltage	100 - 250V AC
Fresnel Lens	Ø175mm (6-7/8 in.)
Lamp Type	1000W SE
Color Temp.	3200K
Lamp Holder	G22
Stirrup	Ø28mm (1-1/8 in.) Spigot
Class / IP Rating	1 / IP 23
Max. Surface Temp.	190 °C
Max. Ambient Temp.	45 °C
Min. Distance to Illuminated Object	1.5 m
Min. Distance to Flammable Object	0.5 m
Operating Range	+45° ~ 0° ~ -45°
Weight (lamphead)	6.5 kg
Weight (with barndoor)	7.5 kg

Tungsten Fresnel 1000W Studio

■ LAMPHEAD CONTENTS

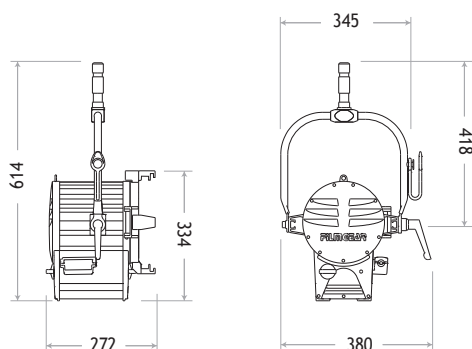
- Lamp Housing without Bulb (purple grey & silver color)
- 4-leaf Rotatable Barndoor with Safety Wire
- Ø175mm (6-7/8 in.) Fresnel Lens
- Panel Switch
- Inlet Cable 4m (13 ft.)
- Stirrup with Ø28mm (1-1/8 in.) Spigot

Requires Lamp Bulb

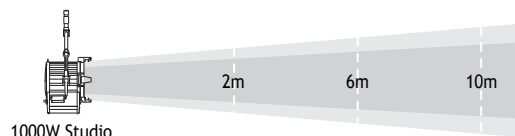
■ ACCESSORIES

- 4-leaf Rotatable Barndoor
- Filter Frame
- Set of 4 Scrims Ø229mm (9 in.) :
 - Full Single, Full Double, Half Single, Half Double
- Scrim Bag
- Variable Snoot
- Spill Ring
- Safety Cable (for lamphead)
- Safety Wire (for barndoor)

■ DIMENSIONS (mm)



■ PHOTOMETRIC DATA



1000W Studio

Spot (8°)			
Lux	38708	4301	1548
Beam Ø	0.28 m	0.84 m	1.40 m
Flood (55°)			
Lux	4644	516	186
Beam Ø	2.08 m	6.24 m	10.41 m