



Tungsten Fresnel 12kW/10kW Studio

■ SPECIFICATIONS

Identity No.	L12010TF
Capacity	12,000W / 10,000W
Voltage	200 - 240V AC
Fresnel Lens	Ø450mm (17-3/4 in.)
Lamp Type	12kW/10kW SE
Color Temp.	3200K
Lamp Holder	G38
Stirrup	Ø28mm (1-1/8 in.) Spigot
Class / IP Rating	1 / IP 23
Max. Surface Temp.	220 °C
Max. Ambient Temp.	45 °C
Min. Distance to Illuminated Object	8 m
Min. Distance to Flammable Object	2 m
Operating Range	+30° ~ 0° ~ -30°
Weight (lamphead)	34.0 kg
Weight (with barndoor)	38.9 kg

Tungsten Fresnel 12kW/10kW Studio

■ LAMPHEAD CONTENTS

- Lamp Housing without Bulb (purple grey & silver color)
- 4-leaf Rotatable Barndoor with Safety Wire
- Ø450mm (17-3/4 in.) Fresnel Lens
- Panel Switch
- Inlet Cable 4m (13 ft.)
- Stirrup with Ø28mm (1-1/8 in.) Spigot

Requires Lamp Bulb

■ ACCESSORIES

4-leaf Rotatable Barndoor

Set of 4 Scrims Ø533mm (21 in.) :

Full Single, Full Double, Half Single, Half Double

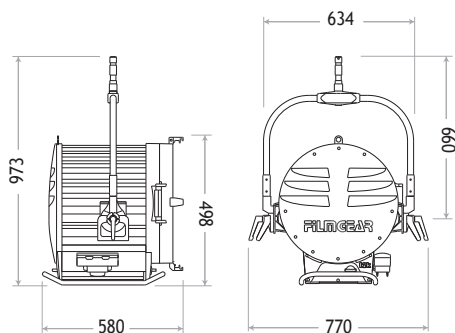
Scrim Bag

Spill Ring

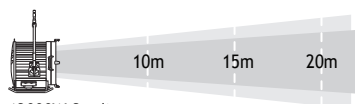
Safety Cable (for lamphead)

Safety Wire (for barndoor)

■ DIMENSIONS (mm)

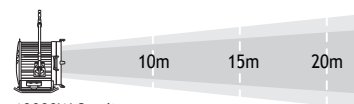


■ PHOTOMETRIC DATA



12000W Studio

Spot (12°)			
Lux	16160	7182	4040
Beam Ø	2.10 m	3.15 m	4.20 m
Flood (62°)			
Lux	2409	1071	602
Beam Ø	12.02 m	18.03 m	24.03 m



10000W Studio

Spot (13°)			
Lux	13377	5947	3344
Beam Ø	2.28 m	3.42 m	4.56 m
Flood (60°)			
Lux	2016	896	504
Beam Ø	11.55 m	17.32 m	23.09 m