



Tungsten Fresnel 24kW/20kW Studio

■ SPECIFICATIONS

Identity No.	L24020TF
Capacity	24,000W / 20,000W
Voltage	200 - 240V AC
Fresnel Lens	Ø625mm (24-5/8 in.)
Lamp Type	24kW/20kW SE
Color Temp.	3200K
Lamp Holder	G38
Stirrup	Ø28mm (1-1/8 in.) Spigot
Class / IP Rating	1 / IP 23
Max. Surface Temp.	240 °C
Max. Ambient Temp.	45 °C
Min. Distance to Illuminated Object	12 m
Min. Distance to Flammable Object	2.5 m
Operating Range	+30° ~ 0° ~ -30°
Weight (lamphead)	63.0 kg
Weight (with barndoor)	69.5 kg

Tungsten Fresnel 24kW/20kW Studio

■ LAMPHEAD CONTENTS

- Lamp Housing without Bulb (purple grey & silver color)
- 4-leaf Rotatable Barndoor with Safety Wire
- Ø625mm (24-5/8 in.) Fresnel Lens
- Inlet Cable 2.5m (8.2 ft.)
- Stirrup with Ø28mm (1-1/8 in.) Spigot

No switch (Rotary or Panel switch on request)
Requires Lamp Bulb

■ ACCESSORIES

4-leaf Rotatable Barndoor

Set of 4 Scrims Ø736mm (29 in.) :

Full Single, Full Double, Half Single, Half Double

Scrim Bag

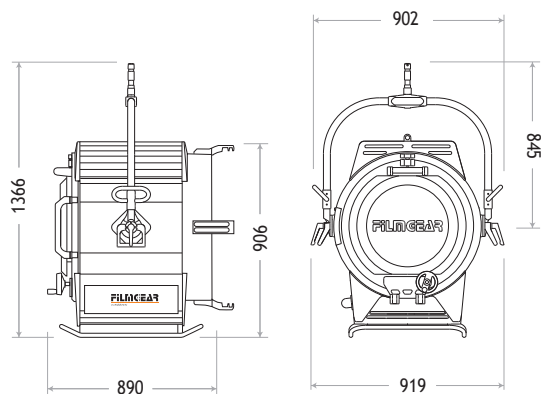
Safety Cable (for lamphead)

Safety Wire (for barndoor)

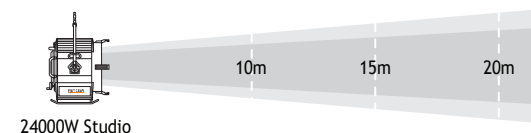
24kW Electronic Dimmer

Lamphead to Dimmer Cable :15m (49 ft.) or 20m (66 ft.)

■ DIMENSIONS (mm)



■ PHOTOMETRIC DATA



24000W Studio

	10m	15m	20m
Spot (13°)			
Lux	46763	20784	11691
Beam Ø	2.28 m	3.42 m	4.56 m
Flood (56°)			
Lux	8019	3564	2005
Beam Ø	10.63 m	15.95 m	21.27 m